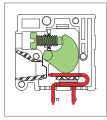


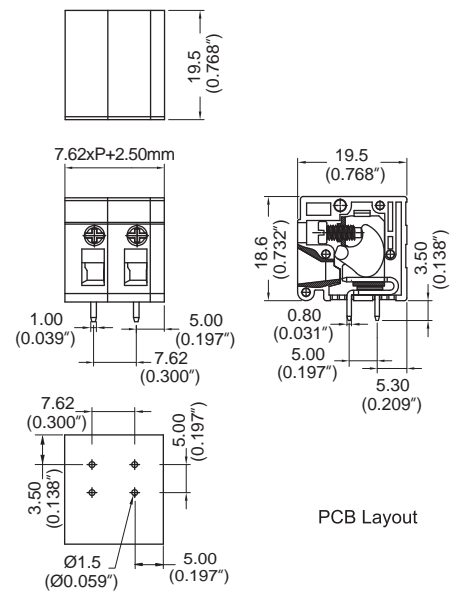
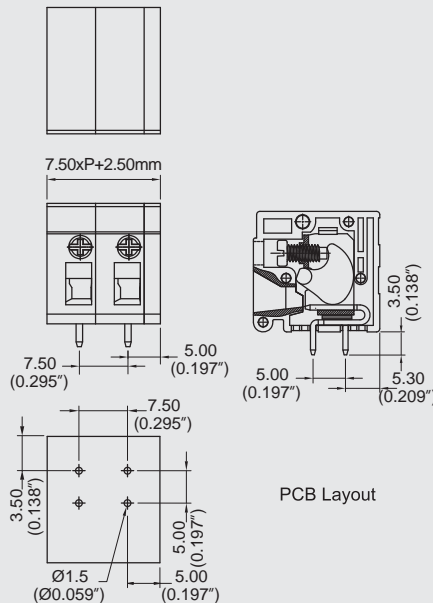
MT300 PCB Terminal Block



DIMENSIONS/POSITIONS		MT300-750	MT300-762
間距	Pitch	7.50mm	7.62mm
位數	Poles	2 ~ 16Poles	2 ~ 16Poles
塑膠本體	Housing Material	PA 66	PA 66
翹板	Pressure Plate	Steel, Zinc Plated	Steel, Zinc Plated
壓線圈	Cage Clamp	Steel, Zinc Plated	Steel, Zinc Plated
端子	Contact	Brass, Tin Plated	Brass, Tin Plated
螺紋	Screw Thread	M2.6, Steel, Zinc Plated	M2.6, Steel, Zinc Plated
電線線徑	Wire Size	12 ~ 24AWG	12 ~ 24AWG
剝線長度	Wire Strip Length	9mm	9mm
PCB孔徑	PCB Hole Diameter	1.5mm	1.5mm
最大緊固扭矩	Tightening Torque, Max.	4.5 Lb-in	4.5 Lb-in
環境作業溫度	Operating Temperature	-40°C to +120°C	-40°C to +120°C

TECHNICAL DATA

連接符合標準 Connection in acc. with standard EN-VDE			
額定電流 I _N	Nominal Current I _N	20A	20A
額定橫截面	Nominal Cross Section	-	-
最大負載電流	Maximum load current	20A	20A
絕緣材料	Insulating Material	PA	PA
阻燃等級,符合UL94 Inflammability class acc. to UL94		V0	V0
額定電壓,UL/CUL Nominal voltage, UL/CUL		300V	300V
額定電流,UL/CUL Nominal current, UL/CUL		20A	20A



MT