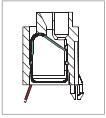


# MX822 PCB Spring Type Terminal Block



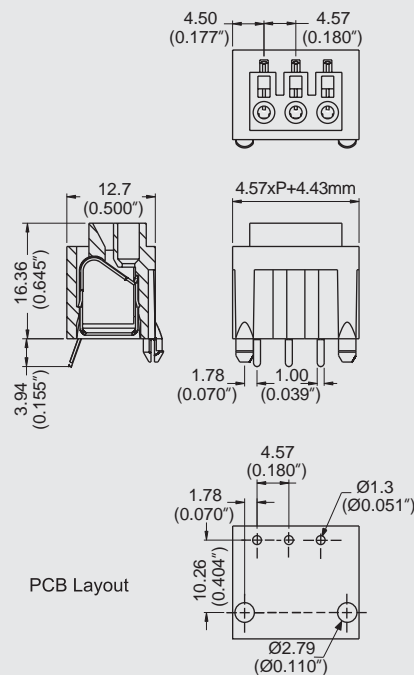
## DIMENSIONS/POSITIONS

MX822-457

間距	Pitch	4.57mm
位數	Poles	2 ~ 10Poles
塑膠本體	Housing Material	PBT
端子	Contact	Phosphor Bronze, Tin plated
電線線徑	Wire Size	16 ~ 18AWG
剝線長度	Wire Strip Length	8mm ~ 9mm
PCB孔徑	PCB Hole Diameter	1.3mm
環境作業溫度	Operating Temperature	-40°C to +120°C

## TECHNICAL DATA

連接符合標準	Connection in acc. with standard EN-VDE	
額定電流 I <sub>n</sub>	Nominal Current I <sub>n</sub>	9A
額定橫截面	Nominal Cross Section	-
最大負載電流	Maximum load current	9A
絕緣材料	Insulating Material	PBT
阻燃等級,符合UL94 Inflammability class acc. to UL94		V0
額定電壓,UL/CUL Nominal voltage, UL/CUL		150V
額定電流,UL/CUL Nominal current, UL/CUL		9A



PCB Layout