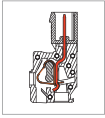


# MZ701 Connector



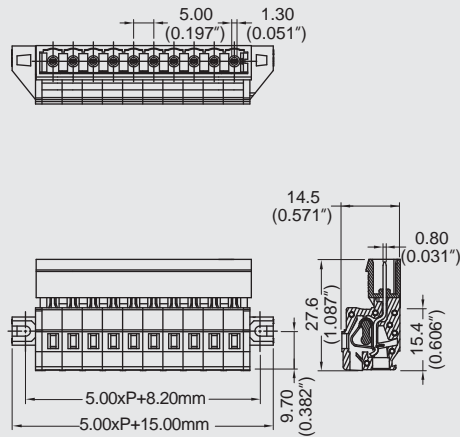
## DIMENSIONS/POSITIONS

## MZ701-500

間距	Pitch	5.00mm
位數	Poles	2 ~ 22Poles
塑膠本體	Housing Material	PA 66
端子	Contact	Copper, Tin Plated
彈片	Spring	Stainless Strip Steel
電線線徑	Wire Size	14 ~ 24AWG
剝線長度	Wire Strip Length	8mm ~ 9mm
環境作業溫度	Operating Temperature	-40°C to +105°C

## TECHNICAL DATA

連接符合標準 Connection in acc. with standard EN-VDE		
額定電流 $I_n$	Nominal Current $I_n$	15A
額定橫截面	Nominal Cross Section	-
最大負載電流	Maximum load current	15A
絕緣材料	Insulating Material	PA
阻燃等級,符合UL94 Inflammability class acc. to UL94		V0
額定電壓,UL/CUL Nominal voltage, UL/CUL		300V
額定電流,UL/CUL Nominal current, UL/CUL		15A



MZ